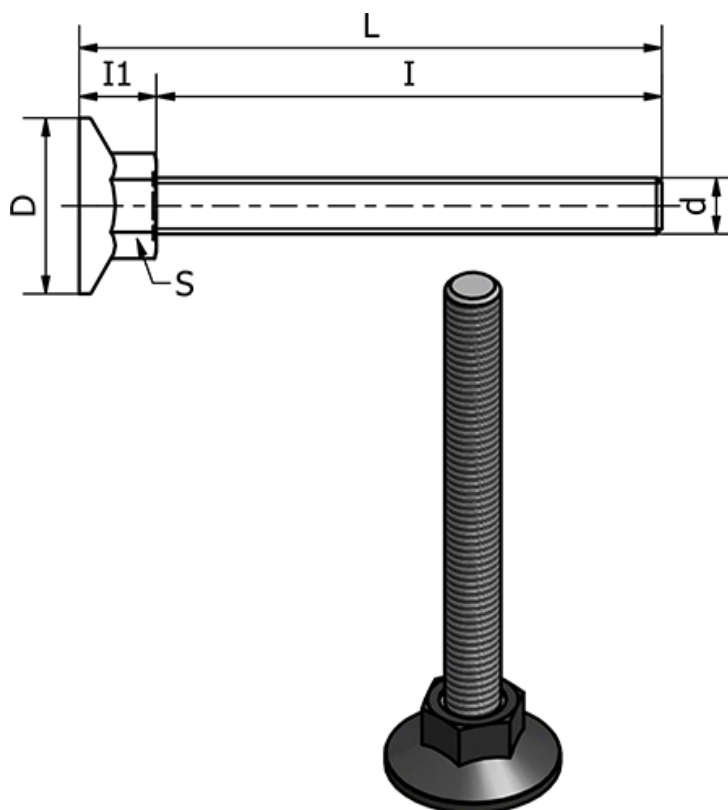


Article number: 2310431142

Description: E+G Levelling elements  
LX.40-SW17-SST-M10X32

## Measures



d = M10

D = 40

I = 32

I1 = 13

L = 42.5

S = 17

Static load in (N) = 3000

Type = AISI 304 Rustfast

Weight (g) = -